

Product Datasheet uvex OTG SN CB 9167602



**UVEX ARBEITSSCHUTZ GMBH, Würzburger Str. 181-189,
D-90766 Fürth**

1. Product Characteristics

- **OTG** (overspecs for prescription wearers)
- **CB (Custom Bridge) version** for Asian face
- uvex coating competence
- fashionable design
- **soft nose** directly injected onto lens for **non-slip fit**
- **soft brow guard**
- uvex duo-component side arms
- **adjustable** side arms

2. Technical Details Frame

Temple


Material	PC+TPU/TPE
Features	adjustable in angle
Color	dark blue, light blue

Hinge

Material	Polyketone
Color	light grey

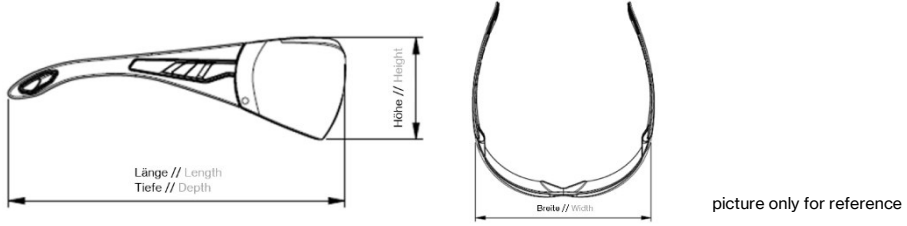
Rivet	
Material	CuZn37
Coupling part	
Material	PC+TPU
Color	dark blue
Soft nose and brow guard	
Material	TPE
Features	directly injected onto lens
Color	light blue
Marking	
Marking according to ANSI	Z87+

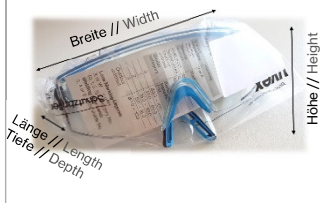
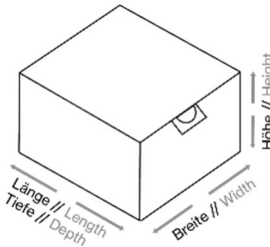
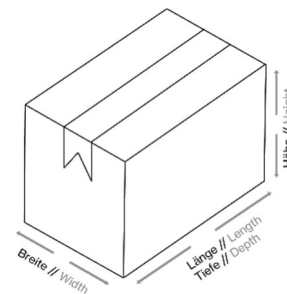
3. Technical Details Lens

Material	PC
Thickness	2.4 mm at PD
Coating	uvex supravision ETC
Color	clear
UV protection	UV400
Marking	
Manufacturer´s ID code	W
Factory symbol	 month/year

4. Logistical Information

Product

Weight in g	45
Dimensions (L x W x H) in approx. mm	
	162.2 x 164.4 x 60.4

	Packing unit 1	Packing unit 2	Packing unit 3
EAN Code	4031101889467	4031101889467	4031101889467
Quantity in pcs.	1 spectacle	4 spectacles	128 spectacles
Dimensions (L x W x H) in approx. mm	 <p>picture only for reference</p>		
	55 x 175 x 90	190 x 165 x 78	600 x 400 x 400
Net weight in approx. g	45	180	5,760
Gross weight in approx. g	70	337	11,684
Country of Origin	Germany		

5. Miscellaneous

Standard	ANSI
PPE Category	Category II